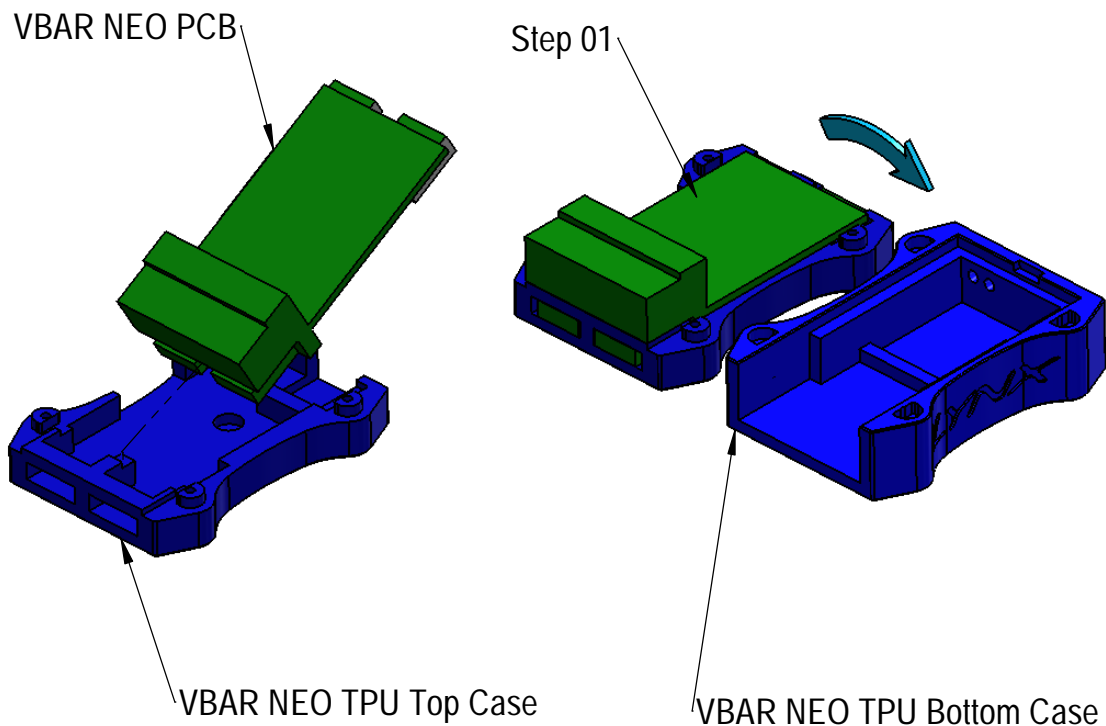


LX2544-VBAR NEO TPU Case-User Manual

Step 01: Assembly PCB with VBAR NEO TPU Top Case



Step 02: Assembly Step 01 with VBAR NEO TPU Bottom Case

